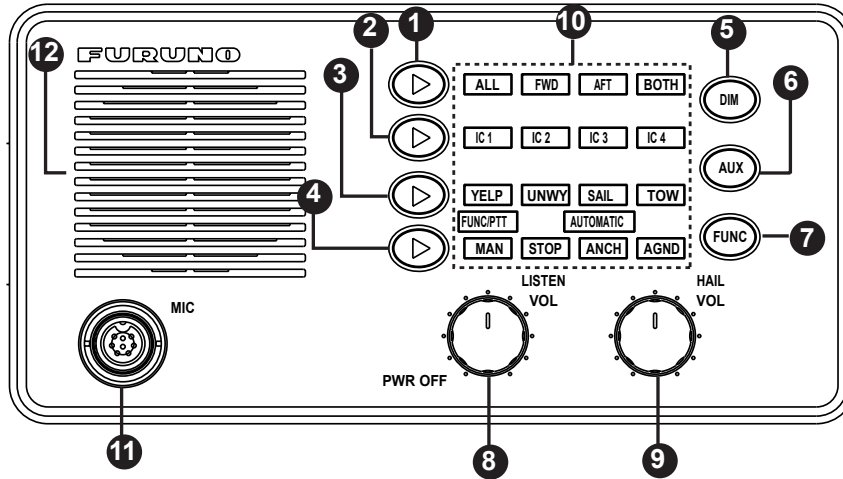


LH-3000 LOUDHAILER

Operator's Guide

The purpose of this Operator's Guide is to provide basic operating procedures for this equipment. For more detailed information see the Operator's Manual.



No.	Control Name	Function
①	Hail Select key	Chooses horn speaker to use (ALL, FWD, AFT, BOTH).
②	Intercom Select key	Chooses which intercom station (IC1, IC2, IC3, IC4) to call.
③	Upper Signal Select key	Chooses warning signal among YELP, UNWY, SAIL and TOW.
④	Lower Signal Select key	Chooses warning signal among MAN, STOP, ANCH and AGND.
⑤	DIM key	Adjusts indicator backlighting, in five levels, including off.
⑥	AUX key	Transmits audio signal (CD player, etc.) from external source to all intercom stations.
⑦	FUNC key	Activates automatic (aground, etc.) and manual warning signals.
⑧	LISTEN VOL/PWR OFF control	Adjusts listening volume from the internal speaker; turns power on/off.
⑨	HAIL VOL control	Adjusts output volume from the horn speakers or intercom station speakers.
⑩	LED indicators	Show equipment status.
⑪	MIC	Microphone port
⑫	Speaker	

Turning the Power On/Off

Turn the **LISTEN VOL/PWR OFF** control clockwise to turn on the Loud Hailer; fully counter-clockwise to turn off the power.

Adjusting Key Backlighting

Press the **DIM** key to adjust backlighting cyclically.



Adjusting Output Level

Turn the **HAIL VOL** control to adjust the output volume from the horn speakers or intercom speakers.

Adjusting Listening Volume

Adjust the **LISTEN VOL** control.

Calling All Intercom Stations

1. In the standby mode (“ALL” indicator is lit), press the PTT switch on the microphone. Speak into the microphone.
2. After speaking, release the PTT switch.

Calling a Specific Intercom Station

1. Press the **Intercom Select** key until the indicator lights on the desired intercom station.
2. Press the PTT switch on the microphone and speak into the microphone.
3. Release the PTT switch to listen for a reply from the selected intercom station.
4. After completing your conversation, press the **Hail Select** key to return to the standby mode.

Hailing by Voice

1. Press the **Hail Select** key until the indicator lights for the desired horn speaker(s).
2. Press the PTT switch on the microphone and speak into the microphone.
3. Release the PTT switch and the Loud Hailer will switch to the listening mode.

Sounding a Manual Warning Signal

1. Press the **Hail Select** key until the indicator lights for the desired horn speaker(s).
2. Press the **Upper Signal Select** key to select YELP.
3. Press the **FUNC** key to enable activation of the warning signal at the next step.
4. Press the PTT switch on the microphone to sound the warning signal; release it to stop the signal.

Transmitting Auxiliary Signal Over All Speakers

In the standby mode, press the **AUX** key. Adjust the output volume level directly from the external input source.

To turn off the auxiliary signal, press the **AUX** key to return to the standby mode.

Enabling/Disabling Alarm Mode

Enabling

1. Press and hold down the **Upper Signal Select** key until the YELP indicator flashes.
2. Press the **FUNC** key until the ALL, FWD, AFT and BOTH indicators light.

Disabling

Press any key except the **AUX** or **DIM** key, or turn off the power.