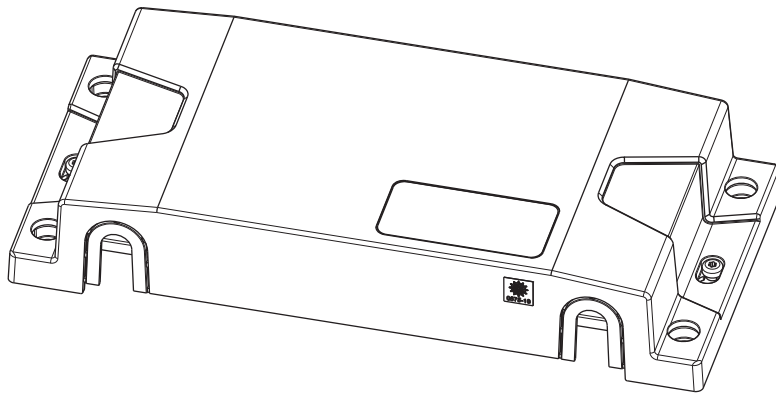
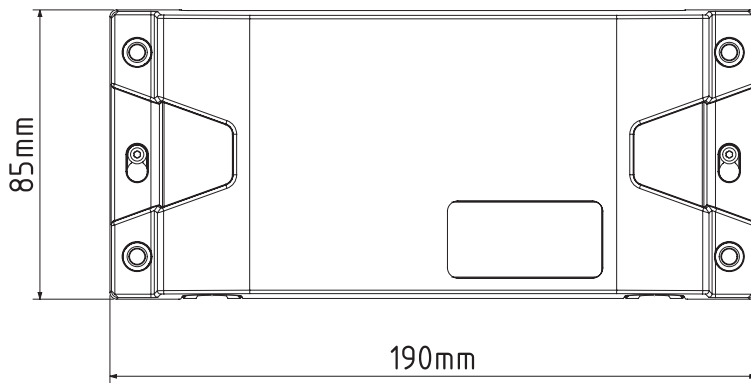
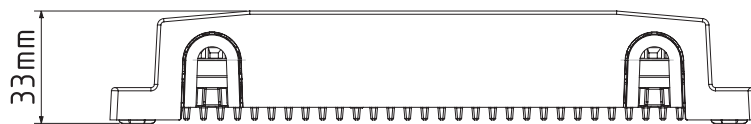


SAILOR 6090 Power Converter

Installation guide

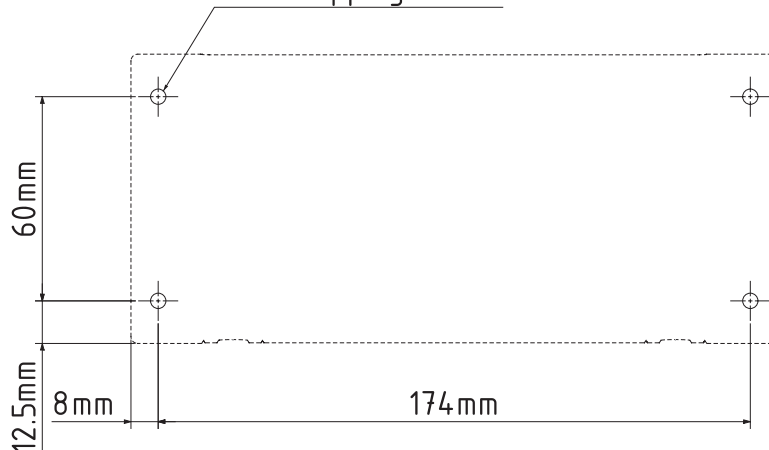


Dimensions



Drilling plan

4 x M4 or hole for self-tapping $\varnothing 3.9$



Technical specifications

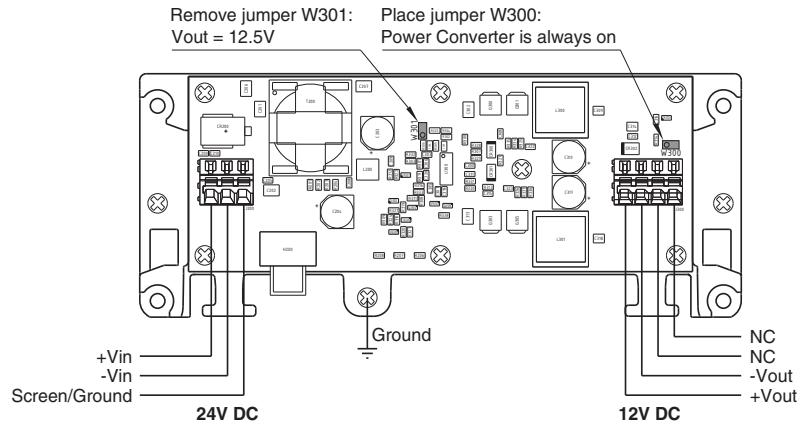
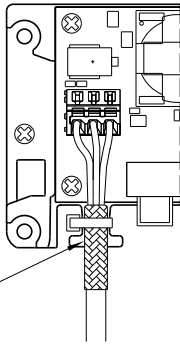
Input voltage (operational):	21V DC - 32V DC
Output voltage:	12.5V DC $\pm 5\%$
Output current (@12.5V):	8A
Efficiency (typical):	>94%
Fuse type:	10A ATO mini
Current limit:	8A@12.5V
Current limit:	7A@15V

Note: The Power Converter is short-circuit protected at the output, it means that a short circuit will not cause the fuse to burn.

Placing of jumpers

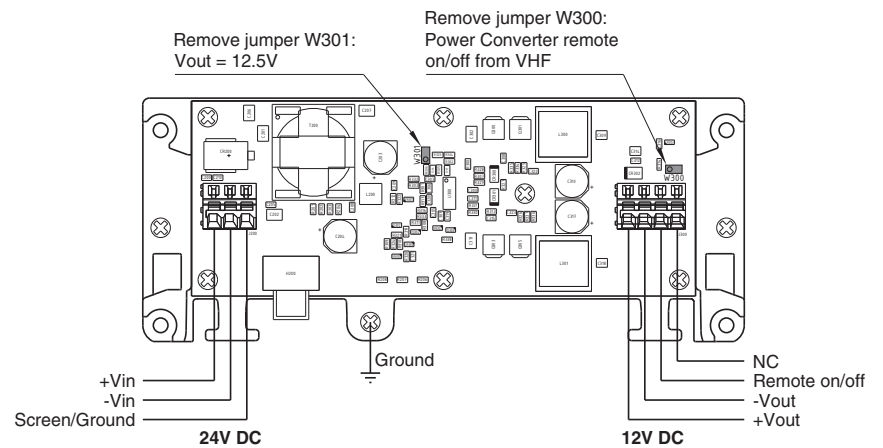
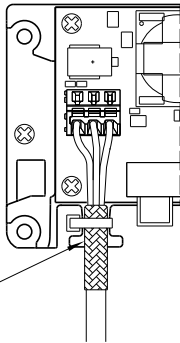
Connected to SAILOR 6210 - 6218 VHF

The cable screen must be securely connected to the metal finger on the box by using the finger strip



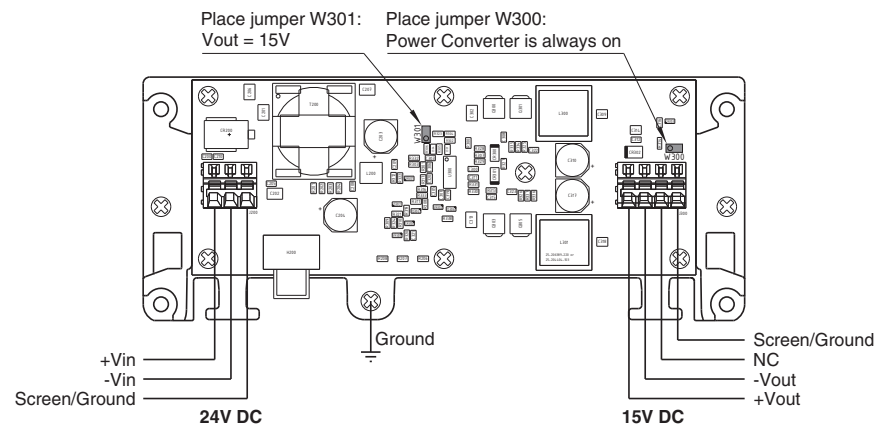
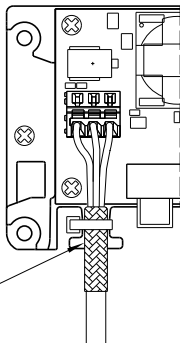
Connected to SAILOR 6222, 6248, 6249 VHF

The cable screen must be securely connected to the metal finger on the box by using the finger strip



Connected as CAN injector

The cable screen must be securely connected to the metal finger on the box by using the finger strip



Manufacturer: Thrane & Thrane A/S, Lundtoftegårdsvej 93D, DK-2800 Kgs. Lyngby, Denmark
 Industrivej 30, DK-9490 Pandrup, Denmark

EU Declaration of Conformity: Thrane & Thrane A/S declares that the equipment complies with the specifications of the Electromagnetic Compatibility Directive (EMC) 2014/30/EU and the Low Voltage Directive (LVD) 2014/35/EU. The full text of the EU Declaration of Conformity is available at the internet address: <https://sync.cobham.com/satcom/products/maritime/power-supply>.

Disclaimer: Any responsibility or liability for loss or damage in connection with the use of this product and the accompanying documentation is disclaimed by Thrane & Thrane A/S. The information in this manual is provided for information purposes only, is subject to change without notice and may contain errors or inaccuracies. The manuals are periodically revised and updated. Anyone relying on this information should acquire the most current version e.g. from cobham.com/satcom or from the distributor. Thrane & Thrane A/S is not responsible for the content or accuracy of any translations or reproductions, in whole or in part, of this manual from any other source. Thrane & Thrane A/S trading as Cobham SATCOM. Copyright © 2017 Thrane & Thrane A/S. All rights reserved.