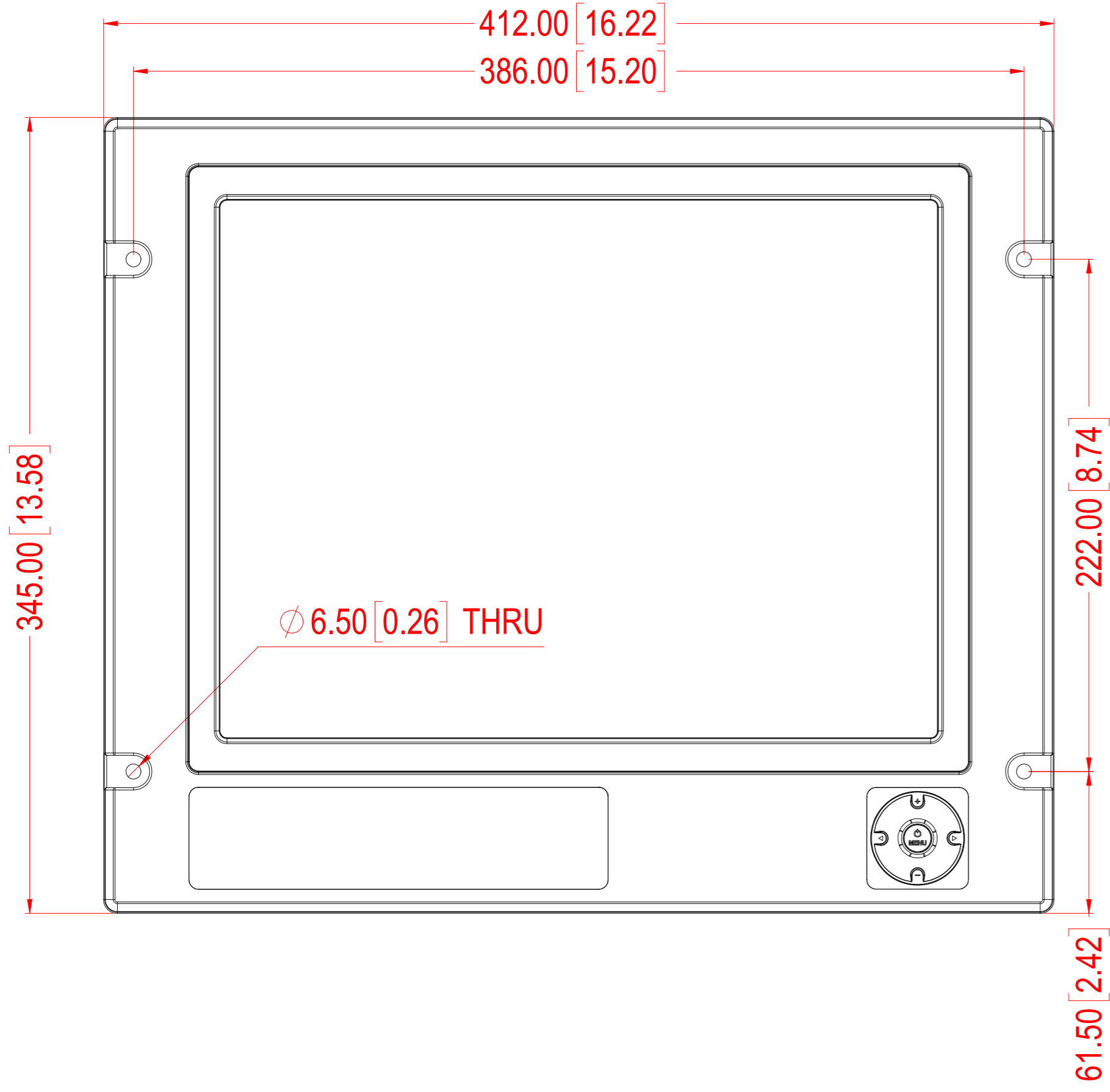
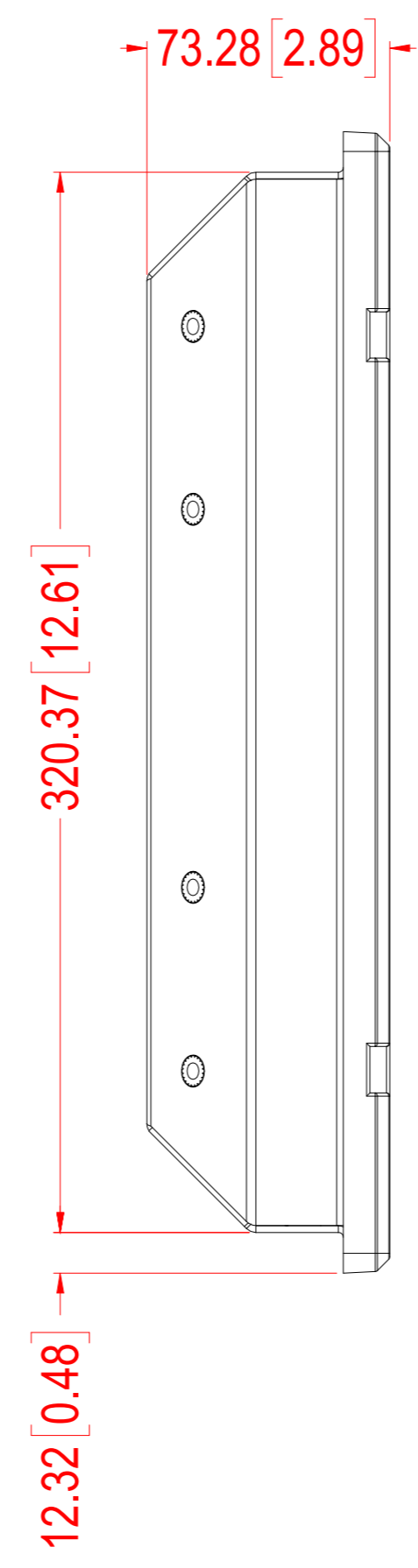


This document is the property of Hatteland Technology AS. This document and any authorized reproduction thereof, must not be used in any way against the interest of Hatteland Technology AS. Any authorized reproduction, in whole or in part, must include this legend.

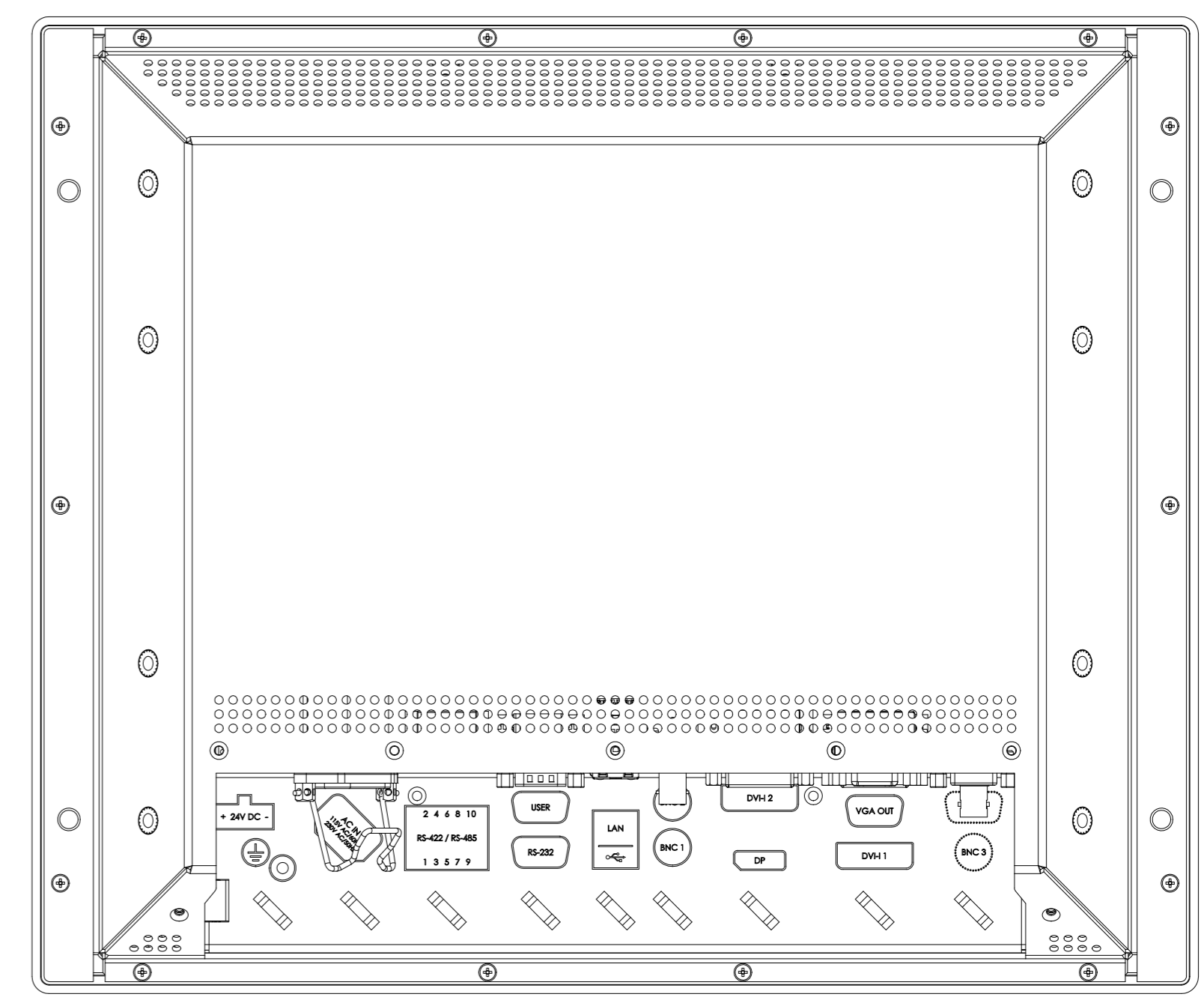
FRONT VIEW



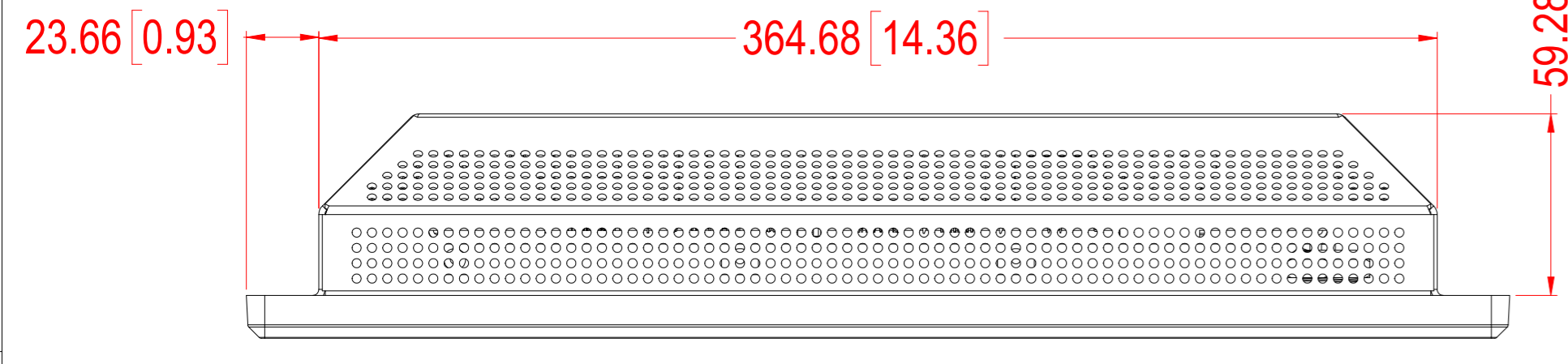
SIDE VIEW



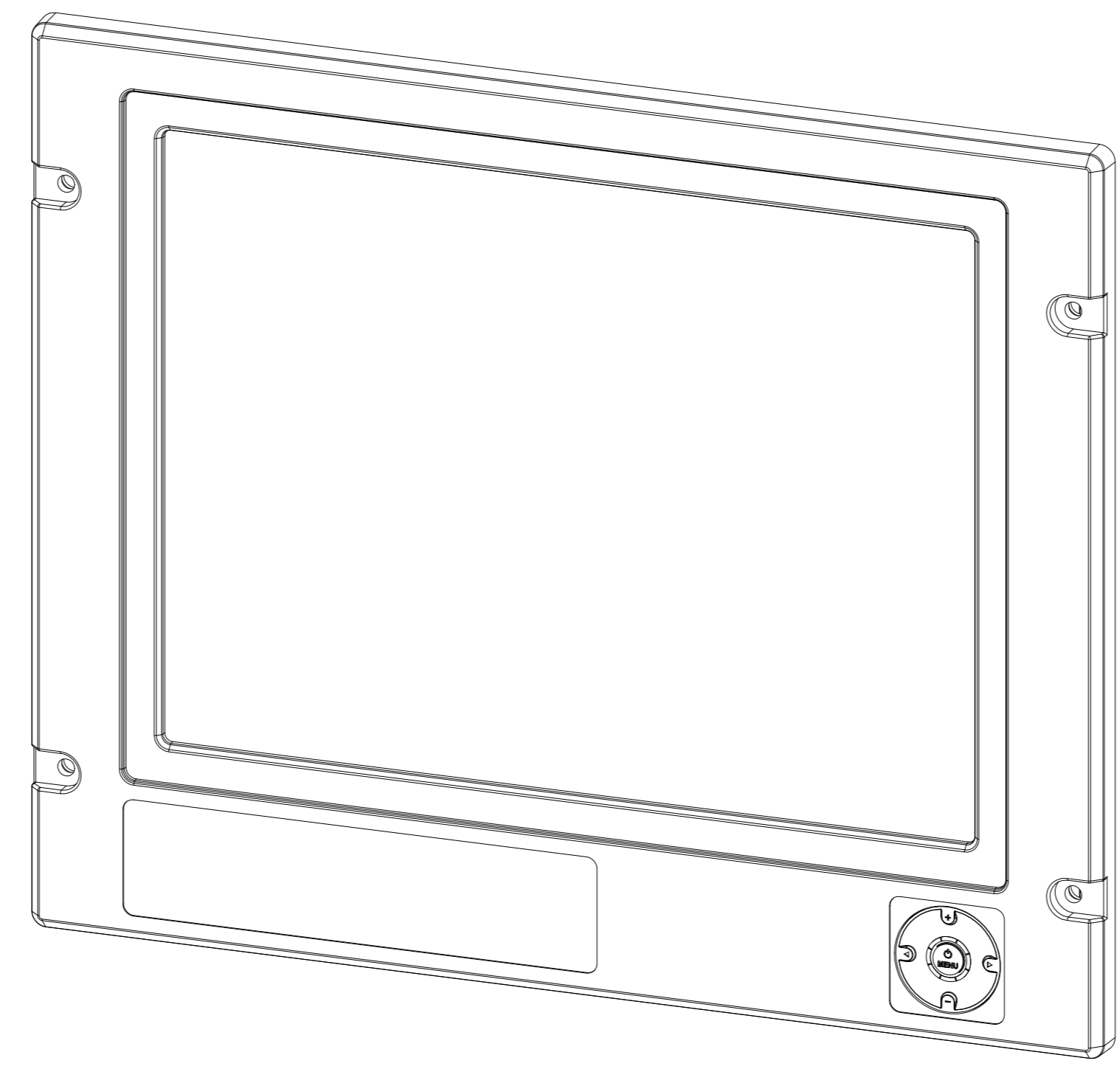
BACK VIEW



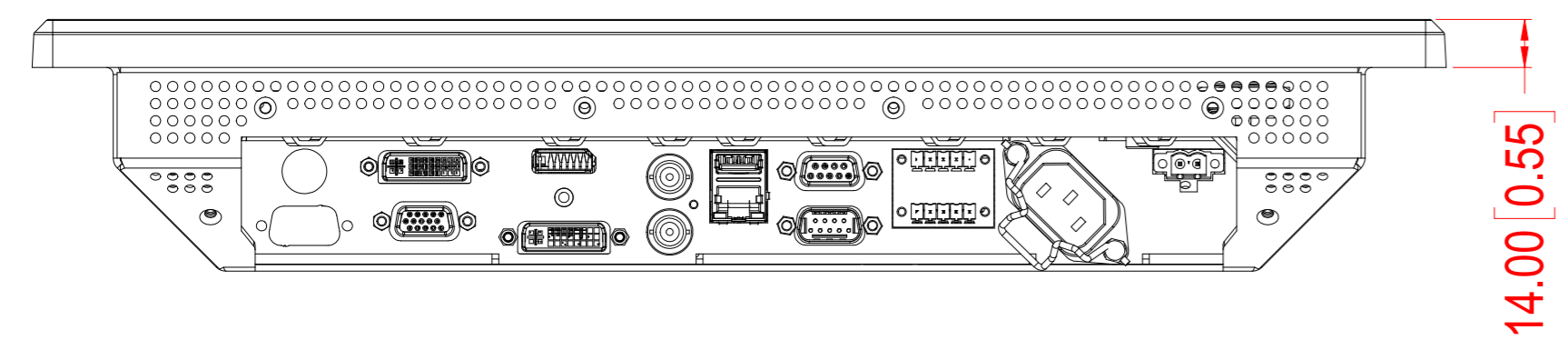
TOP VIEW



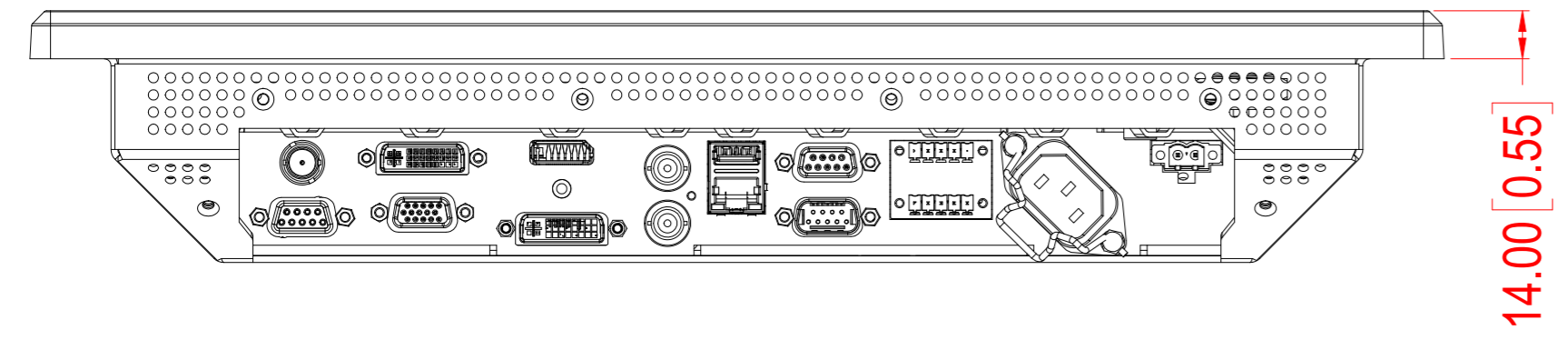
DIMETRIC VIEW



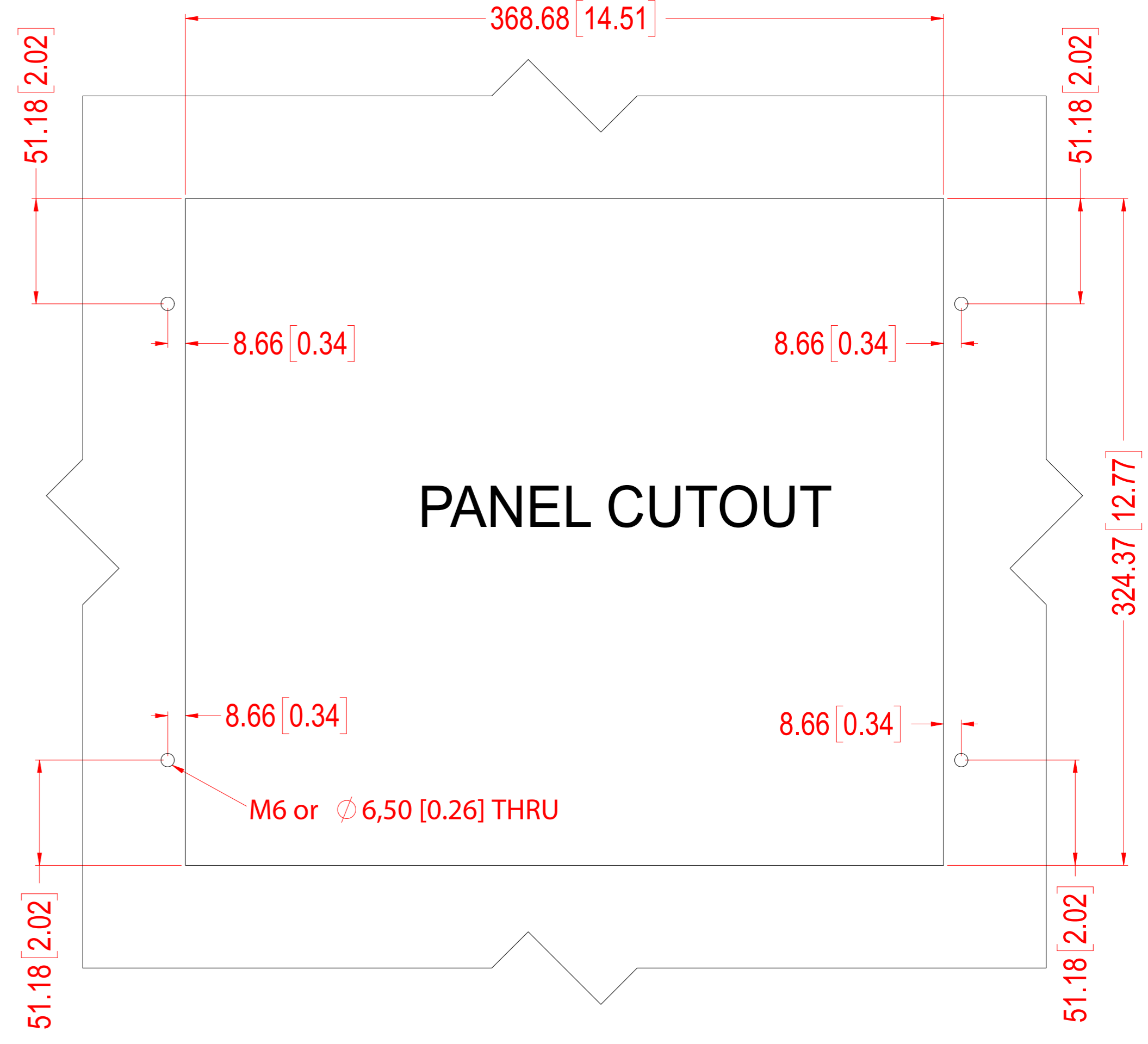
BOTTOM VIEW (Standard)



BOTTOM VIEW (With options)



PANEL CUTOUT



Units: mm [inches]

SALES DRAWING JH 15T17 MMD-MR1-AAAR

Measurements generally apply for all JH 15T17 MMD-xRx-xxAx (Keypad only model) Series 1 Generation 2 models

| | | | |
|--|-------------|------------------------|--|
| Creation date / by: / 02.09.20 8755 | Projection: | A1 | HATTELAND TECHNOLOGY an EMBRON Company |
| Last rev. date / by: / | | Scale: 1:2 | Approved by: _____ Revision: 01 |
| Hatteland Technology AS Eikeskogvegen 52 N-5570 Akdsal | | Tolerance: ISO 2768-mK | Drawing number: A012412 |